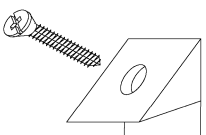

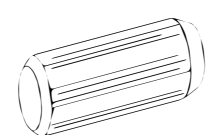

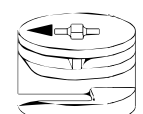
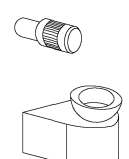

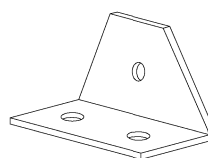
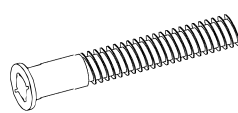

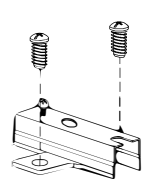
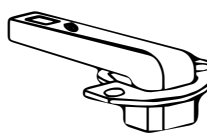
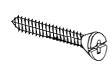
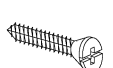

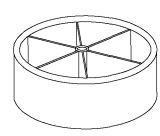


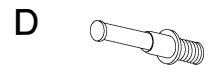
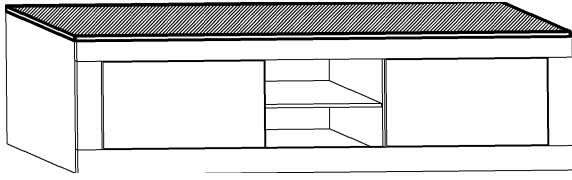
<p>A</p>  <p>x18</p>	<p>209015-02CF</p> <p>L</p>  <p>4.5x30 mm. x6</p>
<p>B</p>  <p>8x30 mm. x24</p>	<p>L3</p>  <p>4x18 mm. x42</p>
<p>C</p>  <p>∅15 mm. x12</p>	<p>R1</p>  <p>x4</p>
<p>D</p>  <p>x12</p>	<p>P7</p>  <p>x14</p>
<p>E</p>  <p>7x60 mm. x4</p>	<p>P</p>  <p>x4</p>

<p>201502-07CC</p> <p>N1</p>  <p>x4</p>
<p>O1</p>  <p>x4</p>
<p>L2</p>  <p>4x16 mm. x8</p>

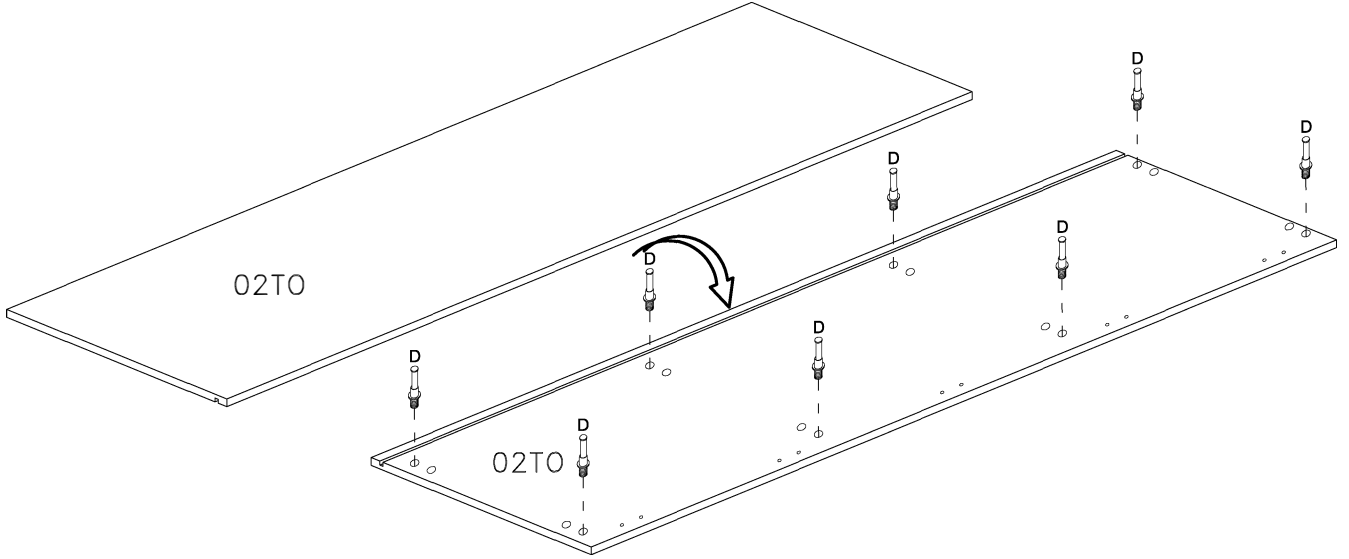
<p>509080-01CM</p> <p>M2</p>  <p>3,5x16 mm. x4</p>
<p>S11</p>  <p>x2</p>

<p>205124-06PIE</p> <p>F21</p>  <p>∅ 60 mm h 20 mm x6</p>

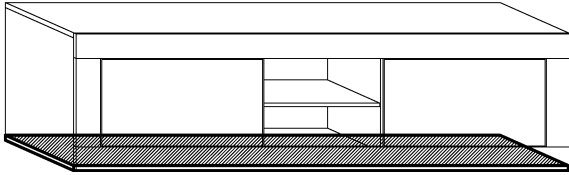
1



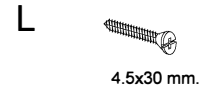
x8



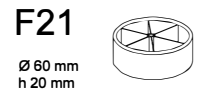
2



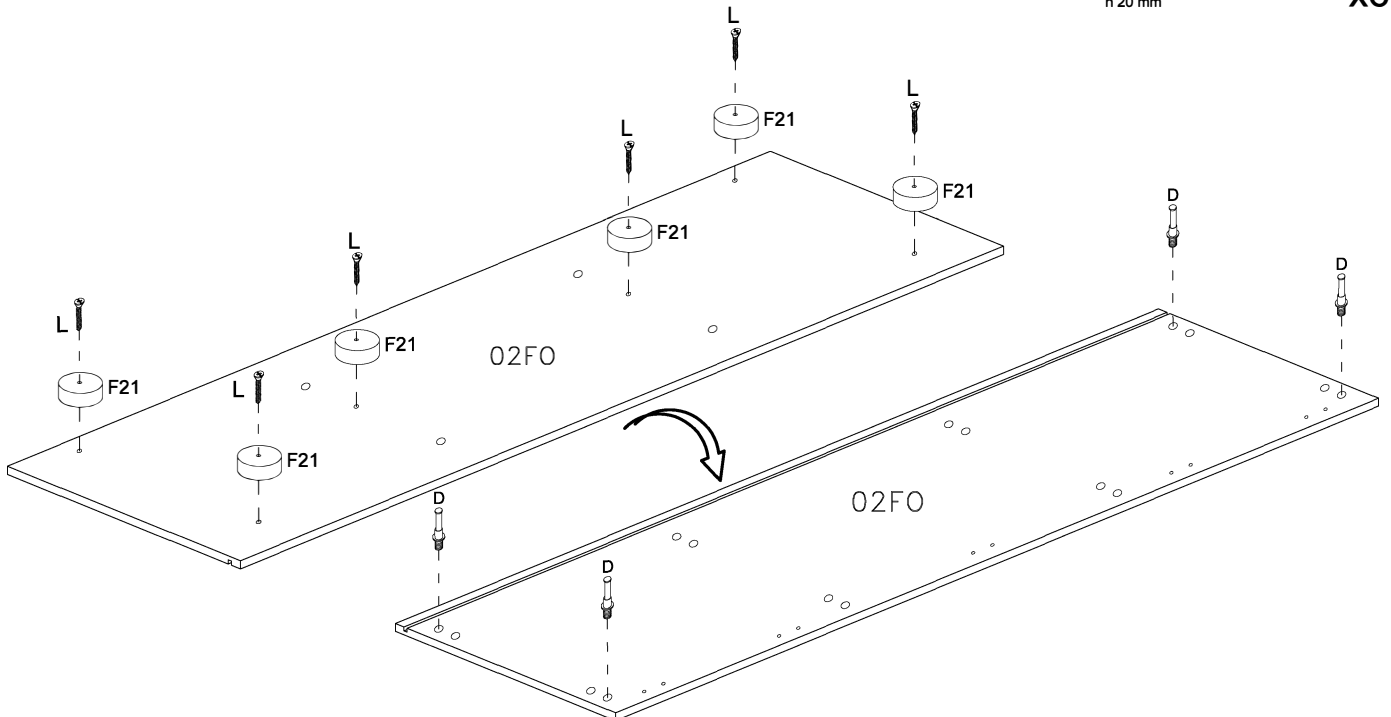
x4



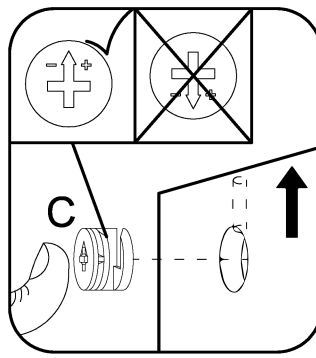
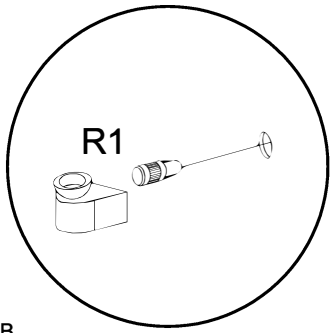
x6

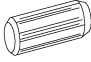
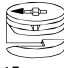



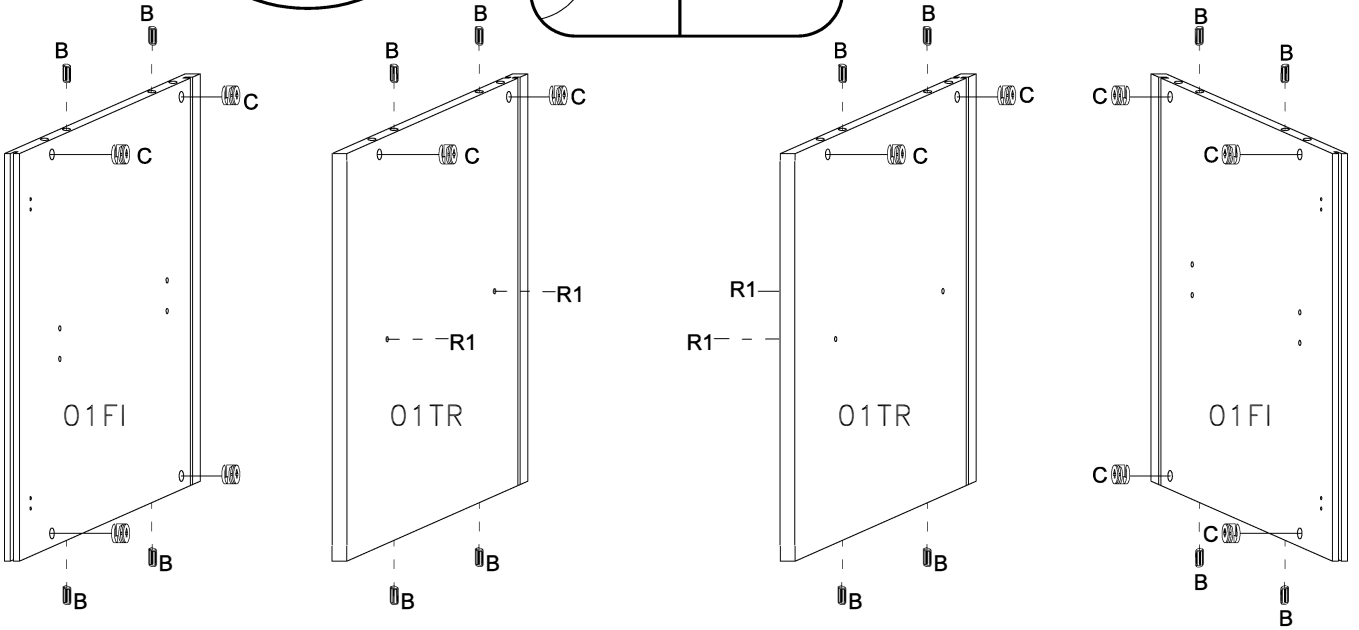
x6



3

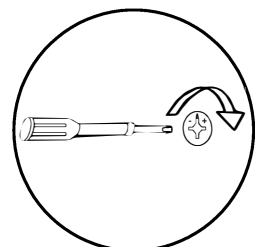
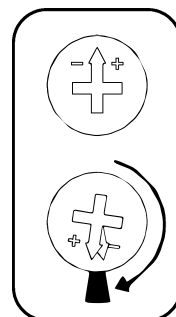
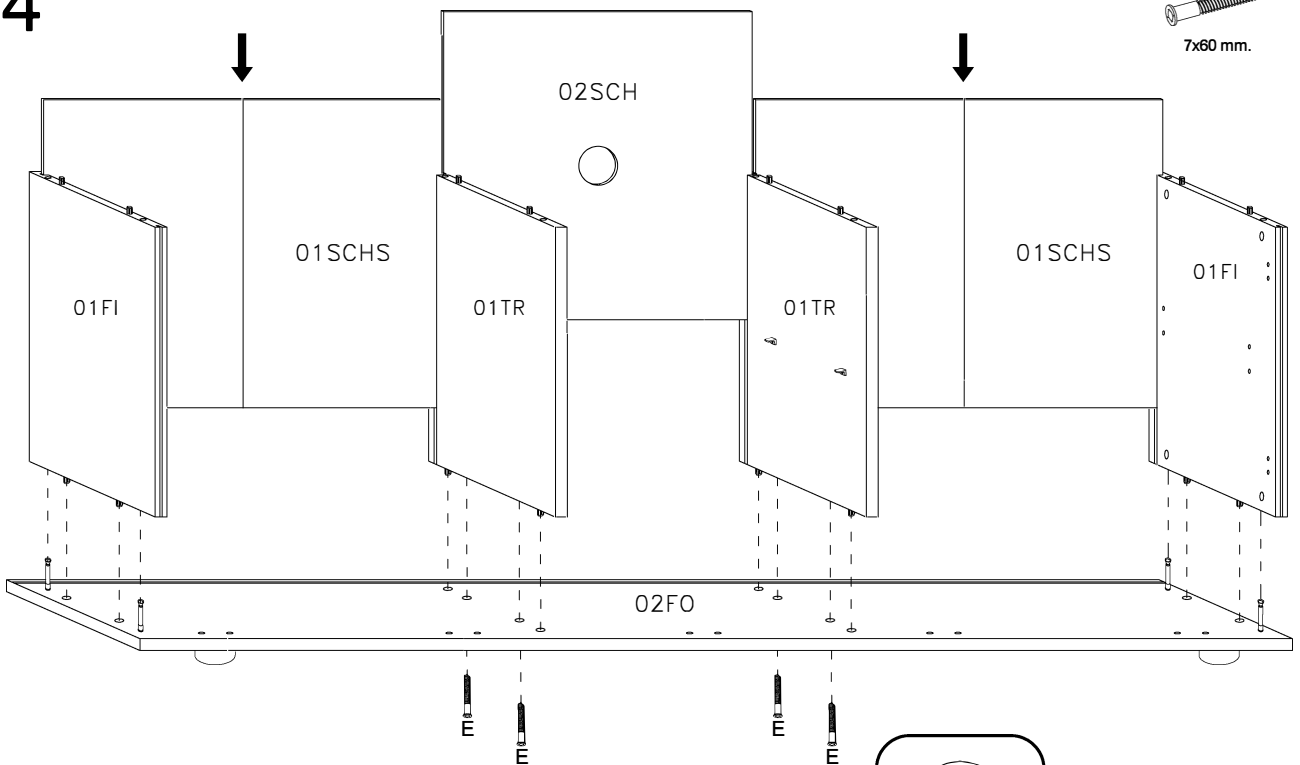


- B  8x30 mm. x16
- C  $\varnothing 15$ mm. x12
- R1  x4

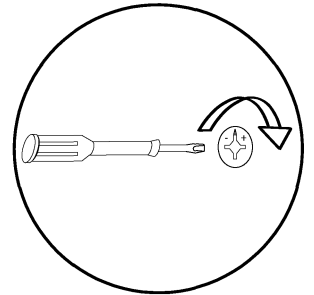
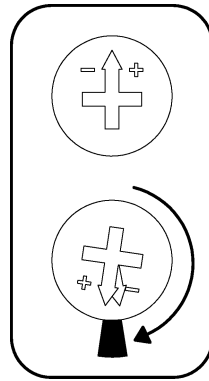
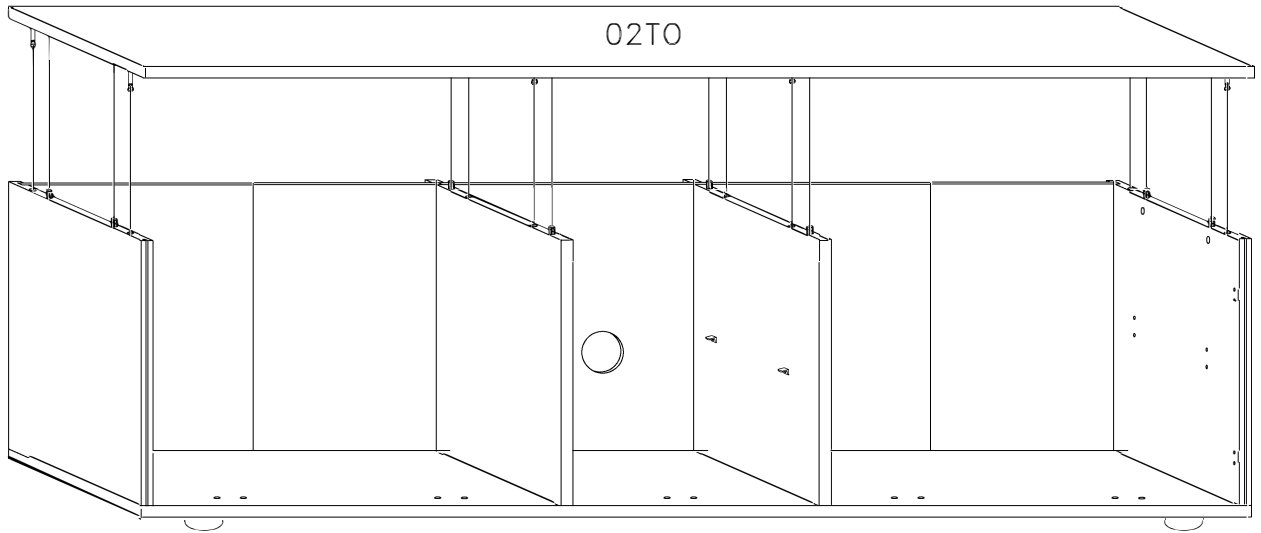


4

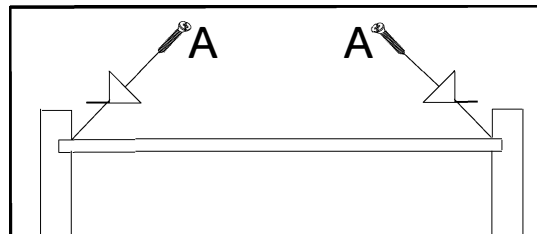
- E  7x60 mm. x4



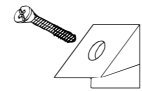
5



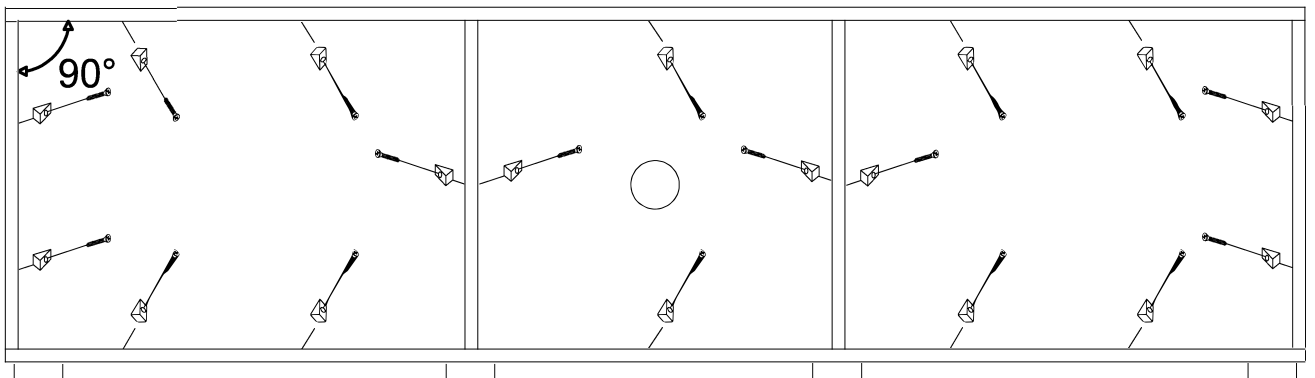
6



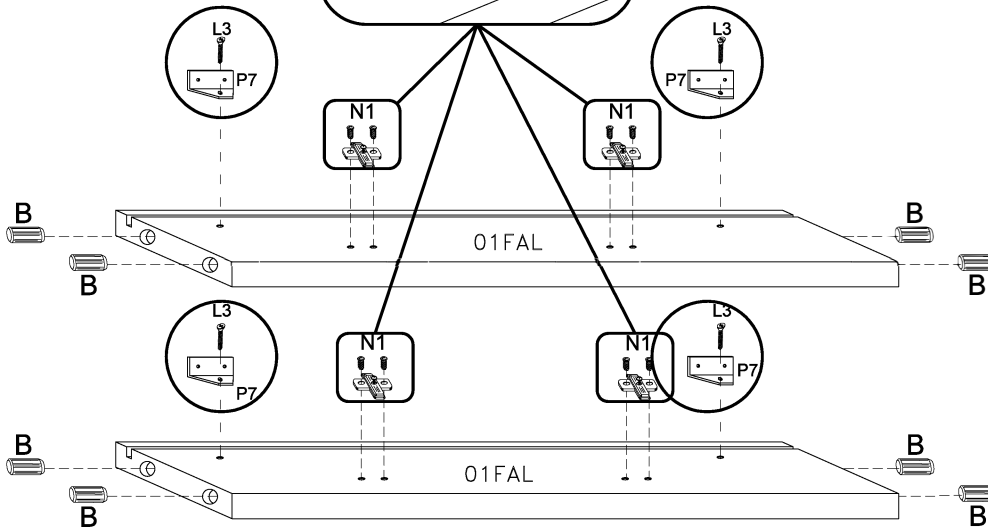
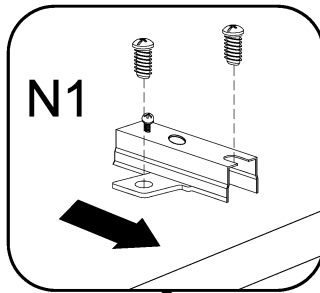
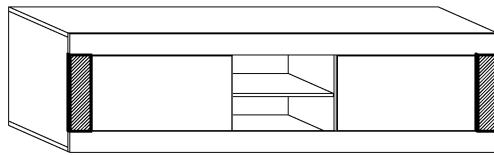
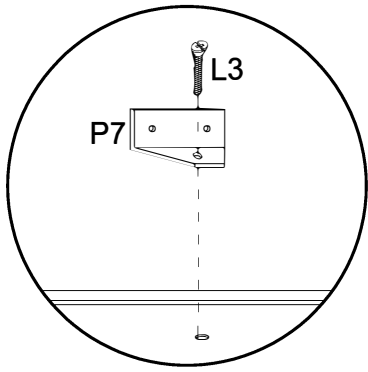
A

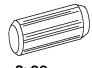
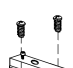
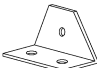



x18

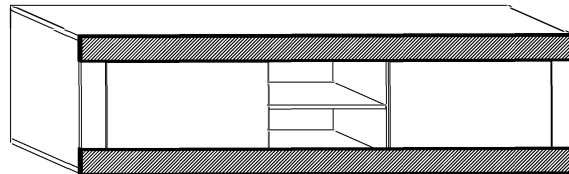
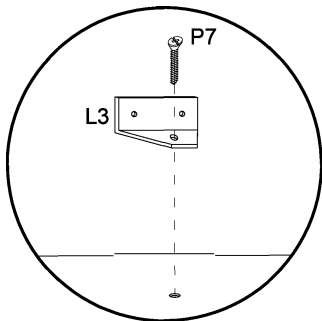



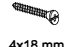
7

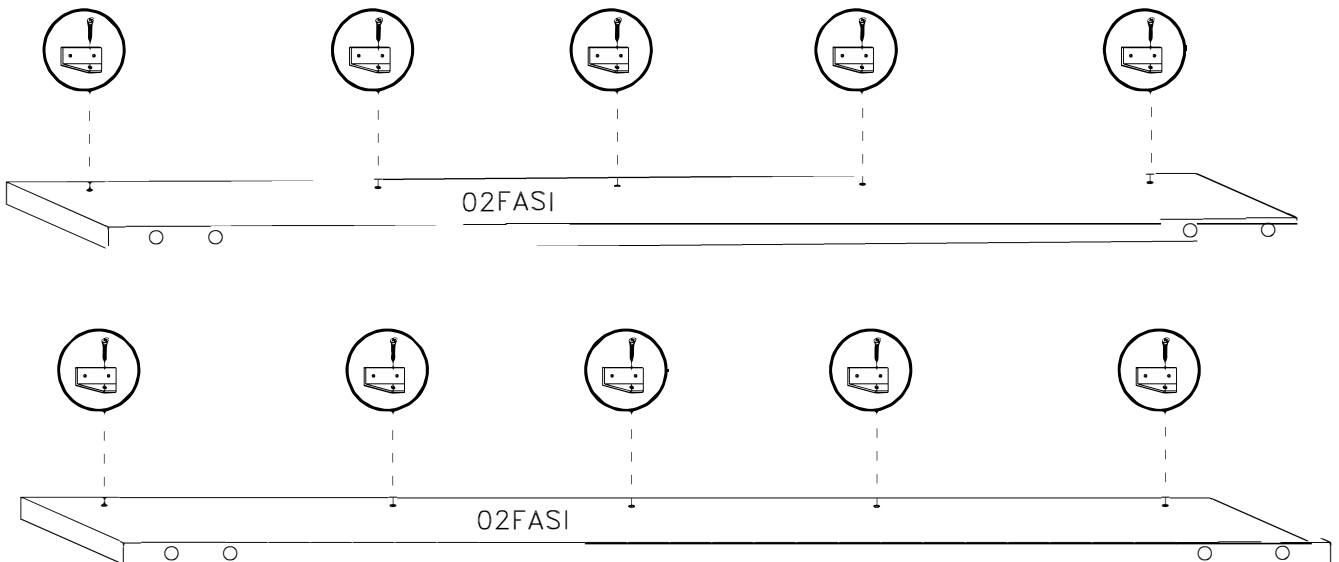


- B**  8x30 mm. **x8**
- N1**  **x4**
- P7**  **x4**
- L3**  4x18 mm. **x4**

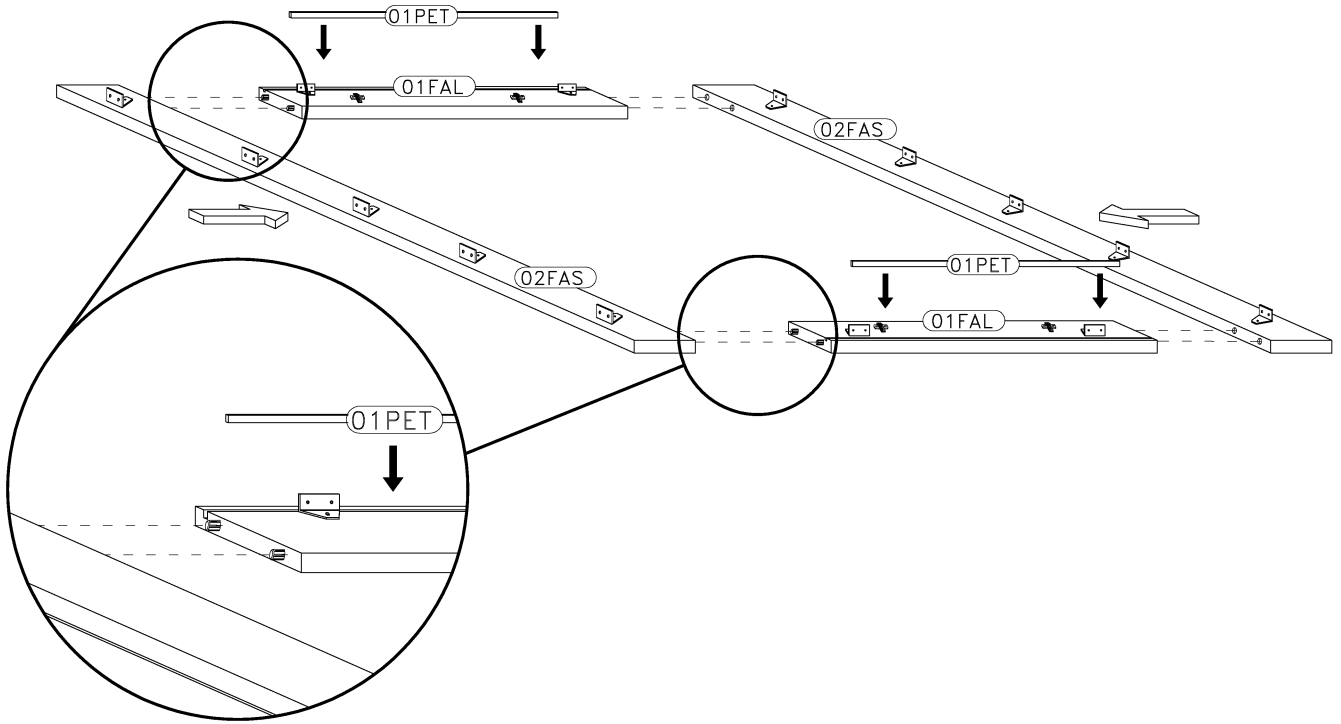
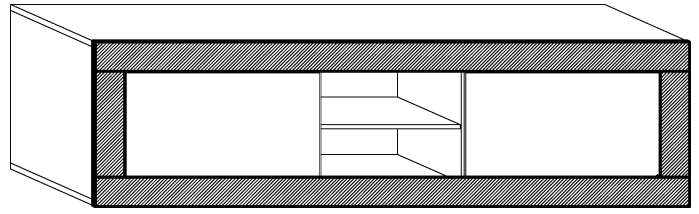
8



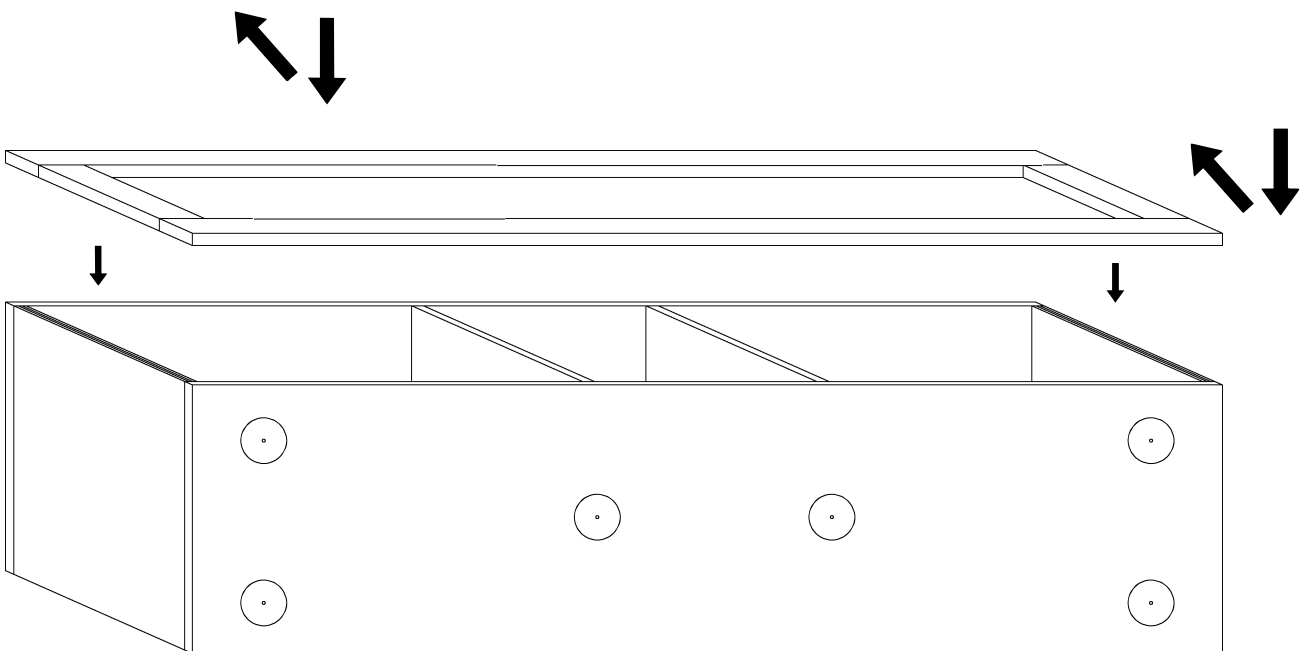
- P7**  **x10**
- L3**  4x18 mm. **x10**



9



10



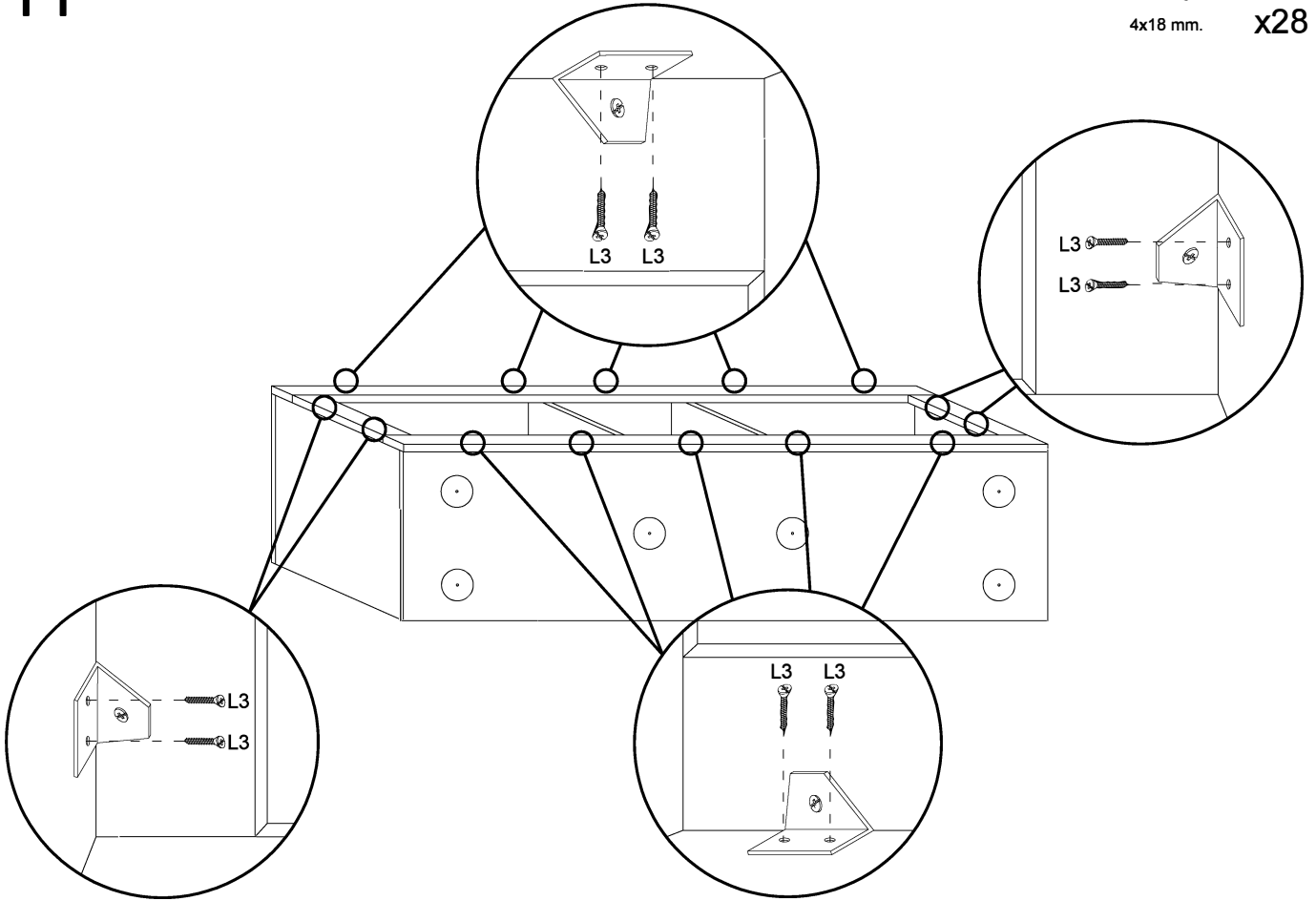
11

L3



4x18 mm.

x28



12

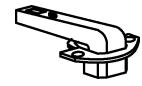
L2



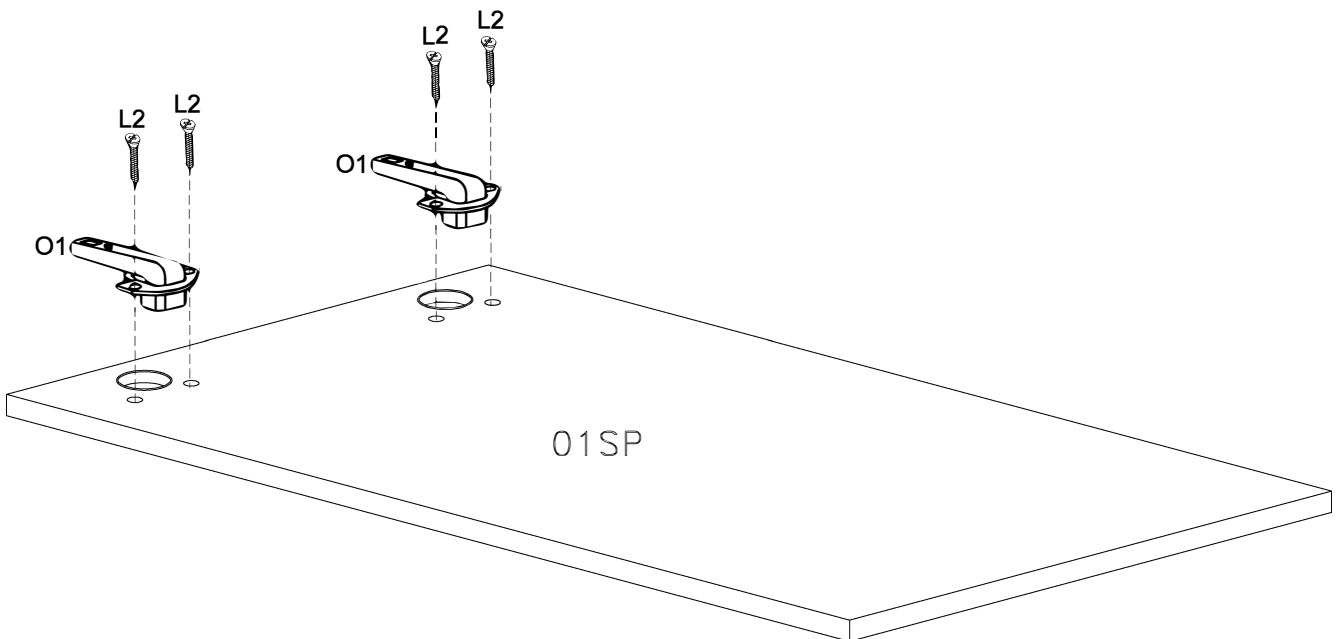
4x16 mm.

x8

O1



x4



13

P



M2

x4

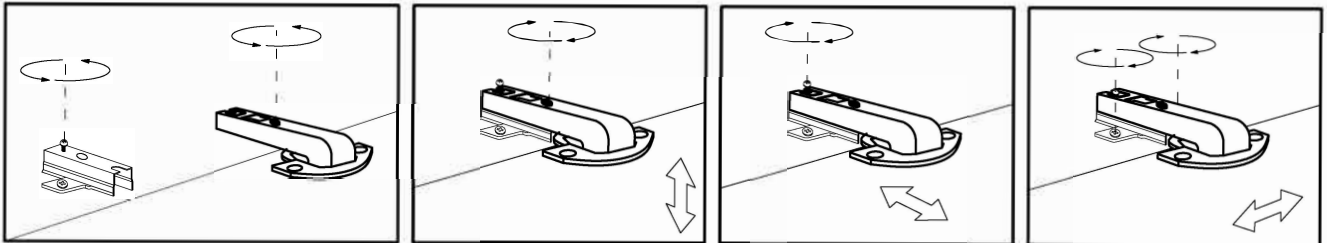
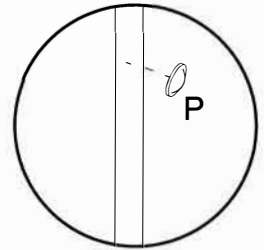
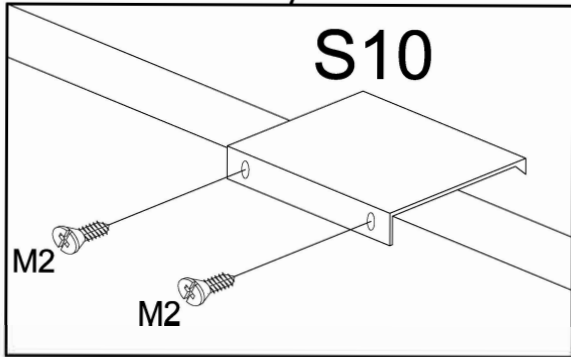
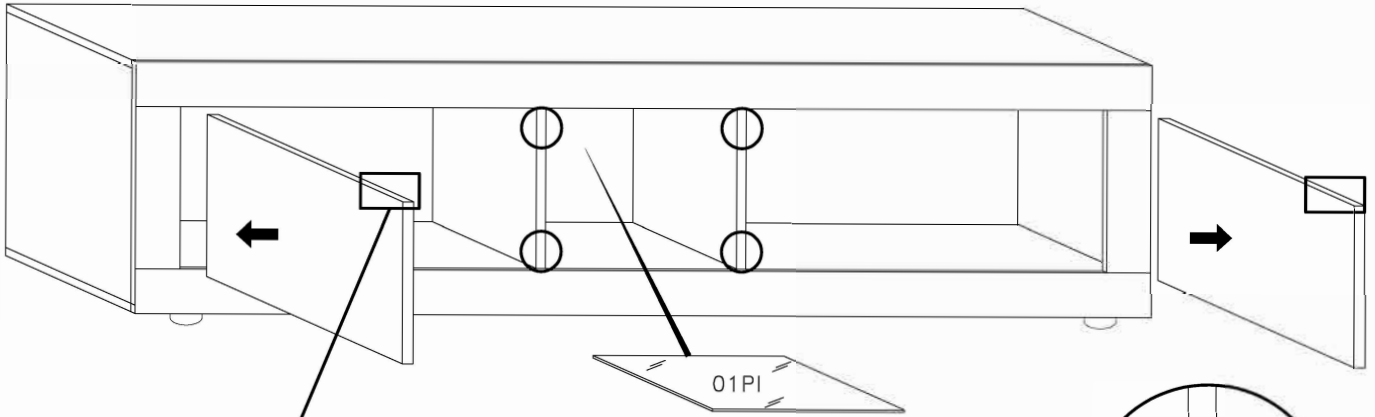


x4

S11



x2



KG 30 MAX

